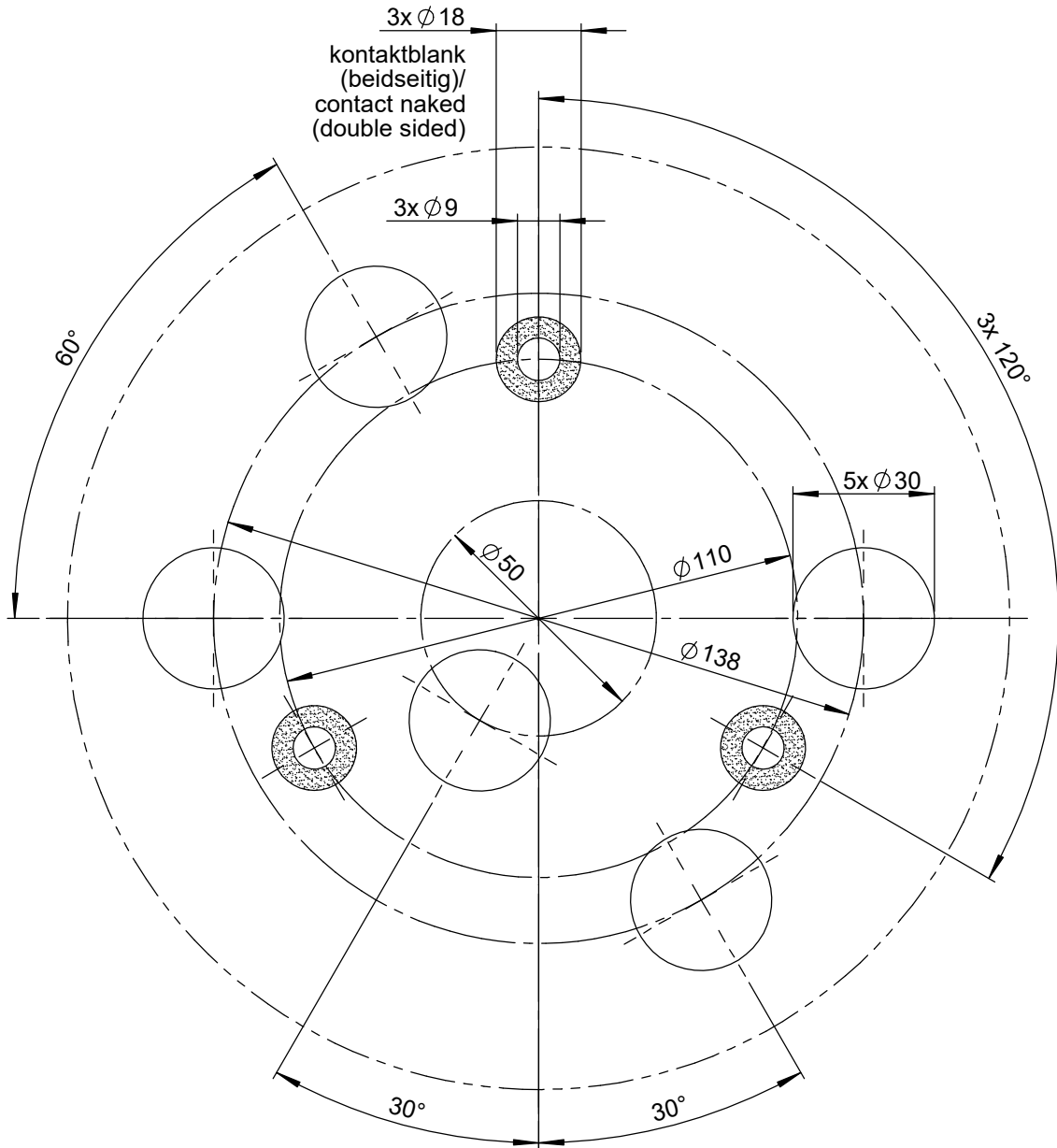


Ansicht von oben / top view



OmPlecs-TOP 200 RA MF-04 -5- UB MIMO 4x4 LG (100-43-08-04.54)
 OmPlecs-TOP 200 RA MF-04 -5- MIMO 4x4 LG (100-43-10-04.54)
 OmPlecs-TOP 200 RA MF-05 -5- 5G MIMO 4x4 LG (100-43-10-05.54)
 OmPlecs-TOP 200 RA-UB MF-05 -5- 5G MIMO 4x4 LG (100-44-10-05.54)

| Wenn nicht anders definiert: Bemaßungen in mm Toleranzen: | Oberfläche: | Artikel-Nr.: --- | Maßstab: 1 : 1,5 | Gewicht: | | | | | | | | | | | | | | | | | | | | | | | | | | | | | | | | | | | | | | | | | | | | | | | | |
|---|-----------------|---|---|---------------------------------|-------------|--|--|--|--|--|--|-------|------|--|--|--|--|--|------------|------------|-----------|--|--|--|--|--|-----|-----------------|----------|----|---------|--|--|--|-----|-----------------|----------|----|-----------|--|--|--|-----|-----------------|----------|----|--|--|--|--|---|--|
| | | Werkstoff: --- | Antonics-ICP GmbH http://www.antonics.de | | | | | | | | | | | | | | | | | | | | | | | | | | | | | | | | | | | | | | | | | | | | | | | | | |
| | | <table border="1" style="width: 100%; border-collapse: collapse;"> <thead> <tr> <th style="width: 10%;"></th> <th style="width: 10%;"></th> <th style="width: 10%;"></th> <th style="width: 10%;"></th> <th style="width: 10%;"></th> <th style="width: 10%;"></th> <th style="width: 10%;"></th> <th style="width: 10%;"></th> </tr> <tr> <th></th> <th>Datum</th> <th colspan="2">Name</th> <th></th> <th></th> <th></th> <th></th> </tr> </thead> <tbody> <tr> <td>gezeichnet</td> <td>08.02.2017</td> <td colspan="2">P. Bojahr</td> <td></td> <td></td> <td></td> <td></td> </tr> <tr> <td>(c)</td> <td>100-44-10-05.54</td> <td>03.12.21</td> <td>PB</td> <td>geprüft</td> <td></td> <td></td> <td></td> </tr> <tr> <td>(b)</td> <td>100-43-08-05.54</td> <td>15.01.20</td> <td>PB</td> <td>genehmigt</td> <td></td> <td></td> <td></td> </tr> <tr> <td>(a)</td> <td>100-43-10-05.54</td> <td>28.08.19</td> <td>PB</td> <td></td> <td></td> <td></td> <td></td> </tr> </tbody> </table> | | | | | | | | | | Datum | Name | | | | | | gezeichnet | 08.02.2017 | P. Bojahr | | | | | | (c) | 100-44-10-05.54 | 03.12.21 | PB | geprüft | | | | (b) | 100-43-08-05.54 | 15.01.20 | PB | genehmigt | | | | (a) | 100-43-10-05.54 | 28.08.19 | PB | | | | | Benennung: <h2 style="text-align: center;">Bohrbild / Drilling pattern</h2> Antennenbefestigung / Antenna mounting | |
| | | | | | | | | | | | | | | | | | | | | | | | | | | | | | | | | | | | | | | | | | | | | | | | | | | | | |
| | Datum | Name | | | | | | | | | | | | | | | | | | | | | | | | | | | | | | | | | | | | | | | | | | | | | | | | | | |
| gezeichnet | 08.02.2017 | P. Bojahr | | | | | | | | | | | | | | | | | | | | | | | | | | | | | | | | | | | | | | | | | | | | | | | | | | |
| (c) | 100-44-10-05.54 | 03.12.21 | PB | geprüft | | | | | | | | | | | | | | | | | | | | | | | | | | | | | | | | | | | | | | | | | | | | | | | | |
| (b) | 100-43-08-05.54 | 15.01.20 | PB | genehmigt | | | | | | | | | | | | | | | | | | | | | | | | | | | | | | | | | | | | | | | | | | | | | | | | |
| (a) | 100-43-10-05.54 | 28.08.19 | PB | | | | | | | | | | | | | | | | | | | | | | | | | | | | | | | | | | | | | | | | | | | | | | | | | |
| | | | Zeichnungs-Nr.: <h2 style="text-align: center;">BB-200.554(c)</h2> | Format: DIN A4 BLATT: 1/1 | | | | | | | | | | | | | | | | | | | | | | | | | | | | | | | | | | | | | | | | | | | | | | | | |
| Index | Änderung | Datum | Name | Datei-Nr.: | Ersatz für: | | | | | | | | | | | | | | | | | | | | | | | | | | | | | | | | | | | | | | | | | | | | | | | |